

Products introduction

It is used for exterior construction, decoration, cleaning and maintenance of high rise building, a substitute of Traditional scaffold, and ideal machine, the welding of Seagoing ship in shipbuilding industry, cleaning of oil-based Paint, installation of elevator, big-size tanks and high chimneys, And inspection, cleaning and repair of bridge.



Lower cost

The suspension can sharpen the builders' competitive. Edges through by dramatically reducing the operation Period, saving the cost and expenditures by 90% and enhance. The labor productivity by 3 times, while its price is kept as low. As one third of those similar equipment from other customers.



Good after-sales services

The working height can be adjusted with your. Need the voltage can be adjusted with your need. Three platform's materials: aluminum alloy ; steel ; steel with dipping zinc

lifting suspension mechanism

the height of the platform can be adjusted within 1150-1800mm with arm which can be stretched out and drawn back. it can be widely used parapet and complicated building in different height, and we can also supply customized platform to meet different requirement from the customers.

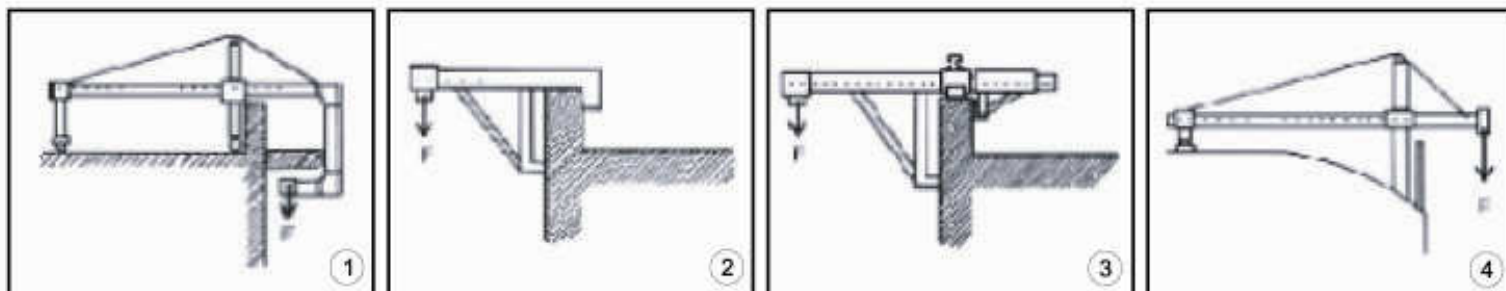
Rated stretch of front beam: 1500mm

Rated suspending load : 8KN*2

The distance between suspending beam and the ground : 1300-1800m

The max distance between front support and the rear one : 4600mm

In addition to provide general used hanging mechanism, we also can supply the special suspending mechanism-parapet wall's device, according to various building's according to various building's structure (as follow drawing)



Suspended Platform

CMAX[®]

ZLP Series Suspended working platform

The length of platform can be adjusted within 1m-12m
 The working height can be adjusted with your need
 The voltage can be adjusted with your need



Aluminum alloy

Model	ZLP100	ZLP250	ZLP300	ZLP500	ZLP630	ZLP800	ZLP1000
Material	Aluminum Alloy						
Height	100m						
Rated load(kg)	100	250	300	500	630	800	1000
Platform length(m)	1	2.5	3	5	6	7.5	7.5
Safety lock type	LST20	LST20	LST20	LST20	LST20	LST20	LST20
Hoist model	LTD6.3	LTD6.3	LTD6.3	LTD6.3	LTD6.3	LTD8.0	LTD10.0
Volume(m ³)	1.5	2.3	2.4	2.8	2.9	3.0	3.2
Weight(kg)	800	1600	1650	1700	1800	1900	2300
20'GPcontainer(pcs)	12	10	10	9	8	8	7
Counter weight (kg)	25x16pcs	25 x20pcs	25x28pcs	25x30pcs	25x36pcs	25x40pcs	25x44pcs
Diameter of steel tope(mm)	8.3	8.3	8.3	8.3	8.3	8.6	8.6
Voltage(v)	380	380	380	380	380	380	380



Steel with painting and dipping zinc

Model	ZLP100	ZLP250	ZLP300	ZLP500	ZLP630	ZLP800	ZLP1000
Material	Steel with painting						
Height	100m						
Rated load(kg)	100	250	300	500	630	800	1000
Platform length(m)	1	2.5	3	5	6	7.5	7.5
Safety lock type	LST20	LST20	LST20	LST20	LST20	LST20	LST20
Hoist model	LTD6.3	LTD6.3	LTD6.3	LTD6.3	LTD6.3	LTD8.0	LTD10.0
Volume(m ³)	1.5	2.3	2.4	2.8	2.9	3.0	3.2
Weight(kg)	800	1600	1650	1700	1800	1900	2300
20'GPcontainer(pcs)	12	10	10	9	8	8	7
Counter weight (kg)	25x16pcs	25 x20pcs	25x28pcs	25x30pcs	25x36pcs	25x40pcs	25x44pcs
Diameter of steel tope(mm)	8.3	8.3	8.3	8.3	8.3	8.6	8.6
Voltage(v)	380	380	380	380	380	380	380



Suspended Platform



The length of platform can be adjusted within 1m-12m
 The working height can be adjusted with your need
 The voltage can be adjusted with your need

ZLP Series Suspended working platform



Steel with painting and dipping zinc

Model	ZLP100	ZLP250	ZLP300	ZLP500	ZLP630	ZLP800	ZLP1000
Material	Steel with Dipping zinc						
Height	100m						
Rated load(kg)	100	250	300	500	630	800	1000
Platform length(m)	1	2.5	3	5	6	7.5	7.5
Safety lock type	LST20	LST20	LST20	LST20	LST20	LST20	LST20
Hoist model	LTD6.3	LTD6.3	LTD6.3	LTD6.3	LTD6.3	LTD8.0	LTD10.0
Volume(m ³)	1.5	2.3	2.4	2.8	2.9	3.0	3.2
Weight(kg)	800	1600	1650	1700	1800	1900	2300
20'GPcontainer(pcs)	12	10	10	9	8	8	7
Counter weight (kg)	25x16pcs	25 x20pcs	25x28pcs	25x30pcs	25x36pcs	25x40pcs	25x44pcs
Diameter of steel tope(mm)	8.3	8.3	8.3	8.3	8.3	8.6	8.6
Voltage(v)	380	380	380	380	380	380	380

ZLP Series special design suspended platform



Circle suspended platform(The size of the circle can adjust)



ZLP800 double rack Aluminium alloy suspending platform

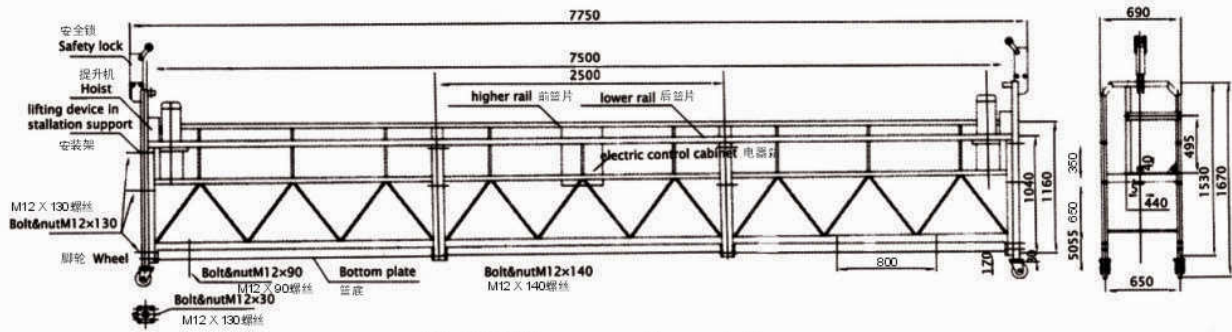


90° assembly suspending platform

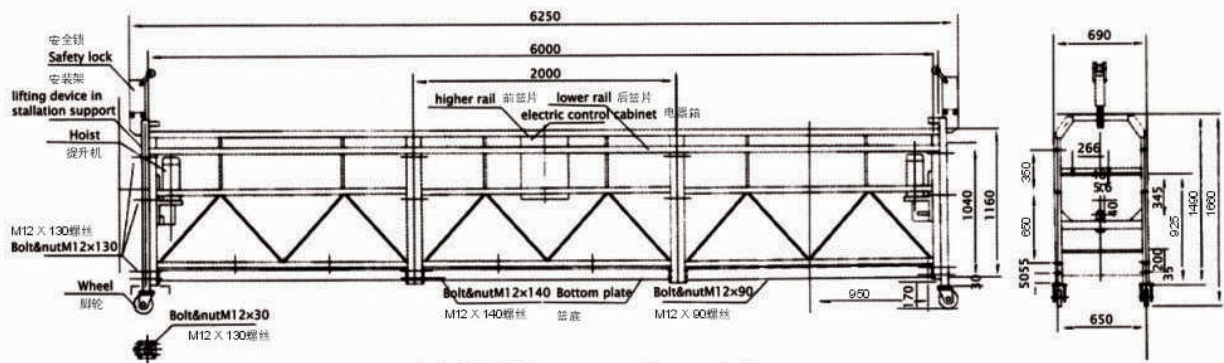
Suspended Platform



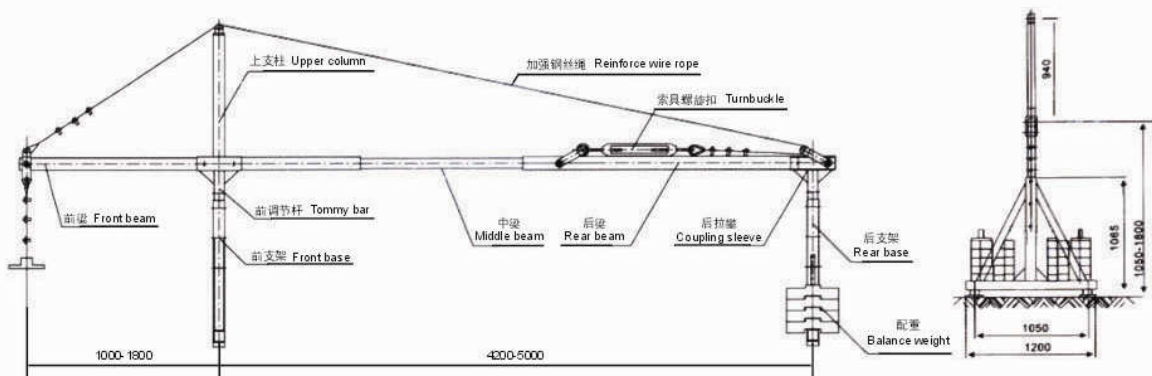
ZLP Series Suspended working platform structure



ZLP800 type working platform



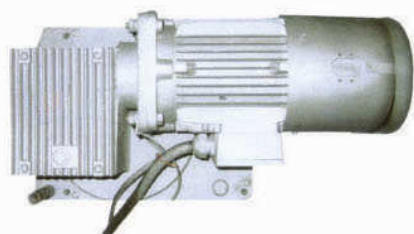
ZLP630 type working platform



ZLP series high operation suspending part name and size



ZLP Series Suspended working platform spare parts



Ltd6.3 Hoist Motor

Hoist model	LTD6.3
Adjusted specification	ZLP100 - 630
Rated load	6.3kN
Lifting speed	9.6m/min \pm 0.5
Motor power	1.5kW
Steel wire rope diameter	8.3mm



Ltd8.0 Hoist Motor

Hoist model	LTD8.0
Adjusted specification	ZLP800
Rated load	8.0kN
Lifting speed	8.3m/min \pm 0.5
Motor power	1.8kW
Steel wire rope diameter	8.6mm



Ltd10.0 Hoist Motor

Hoist model	LTD10.0
Adjusted specification	ZLP1000
Rated load	10.0kN
Lifting speed	8.3m/min \pm 0.5
Motor power	2.2kW
Steel wire rope diameter	8.6mm

Suspended Platform

CMAX[®]

ZLP Series Suspended working platform spare parts



Electric Control Box

Electric control box

Adjusted specification	All models
Brand	schneider



Safety Lock

Safety lock model

LST20

Adjusted specification	All models
Allowable compact force	20KN
Adjusting range of rope lock angle	3° - 8°
Rope lock distance	≤100mm



Locked condition



Working condition



CNBM

CNBM International Corporation

Suspended Platform



ZLP Series Suspended working platform spare parts



Steel Wire Rope



Cable Rope



Safety Rope

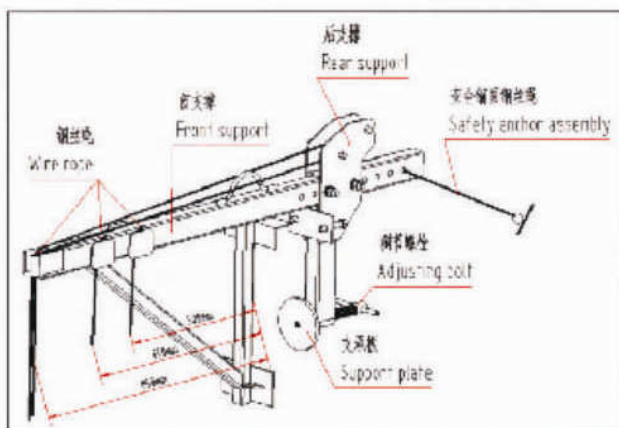


Rope Lock Assembly

Items	Adjusted specification
Rope lock assembly	All model
Steel rope(8.3mm)	ZLP100-ZLP630
Steel rope(8.6mm)	ZLP800 ZLP1000
Cable rope	All moder
Safety rope	All moder

Parapet clamp

Simple structure, easy to be installed; Without counter-weight, convenient for transportation, save the time and money; hot-dipped galvanized steel structure with long lifespan and good safety, reliability, and maintainability; should the parapet be suitable and strong enough, the parapet clamps may be a good option; in addition, we can offer the parapet clamp for the independent safe rope; Max overhang extension: 500mm850mm Max load: ≤800kg500kg



Main Technical Data



Main Technical Data	Specification
Rated stretch of the front beam	1500
Rated suspending load	8kN x 2
The distance between suspending beam and the ground	1300 - 1800mm
The max distance between front support and the rear one	4600mm